

# enovOcean

## A new wind on offshore operation



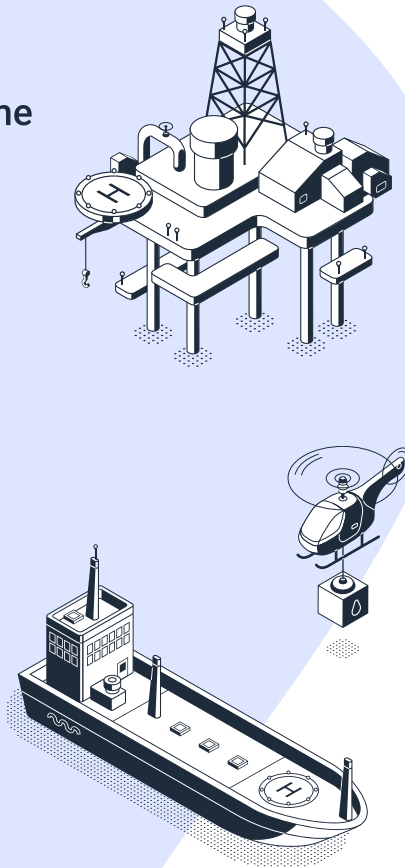
powered by

 **NOVELTIS**

# WHAT YOU WANT

Protect your people and your business

- 1 Forecast precisely weather downtime to extend your operational time
- 2 Ensure safety on transit, boarding, lifting.. operations
- 3 Get easy to use but precise weather information
- 4 Be warned automatically in case of extreme conditions



# WHAT WE DELIVER

Marine weather for professionals

**Statistical treatment over 20 years hindcast data to determine precise weather downtime forecasts**

**A 10 day weather forecast with a scaling down to 3km to safely plan your operations**

**A user-friendly web platform delivering professional weather data**

**Taylor-made reporting and alarms**

- **Select the best time** for people transfers ;
- Timely unmanning of the rigs in extreme conditions ;
- Helidesk motions : **selecting the right weather windows** ;
- Secure barge transit and motion during installation and decommissioning ;
- Reduces weather downtime through an accurate picture of the coming weather situation ;
- Select the **safest period** for servicing ;
- Position Heavy lift operations ;
- **Increase workability**.

# Be efficient Take no risk!